

*AquaLine*



**ACTIVO-MED**  
*Wellness Solutions for horses*



*The pursuit of success is based on your horse's ongoing health and the willingness to perform and Activo-Med will support you in this.*



Dr. med. vet. Matthias Baumann,  
Specialised in rehabilitation, FEI vet,  
former Olympic Team Champion in  
Three-Day-Eventing

# Made by riders for riders

**Winners are produced at home. Success depends on equine management, health and regeneration. All products manufactured by Activo-Med have become extremely useful in equestrian sport, breeding and leisure over the past decades and play an integral part in horse care in many yards today.**

of products. Our water treadmills have been in use around the world for decades and are a permanent fixture in many equine rehab and training centres.

In the field of hydrotherapy, Activo-Med is one of the leading manufacturers world wide.

Activo-Med supports equine performance, regeneration and rehabilitation with a number





**Activo-Med AquaLine  
Water Treadmill**

Hydrotherapy for training  
and rehabilitation after  
injuries.



**Activo-Med AquaLine Spa**  
Wellness and rehabilitation  
in saltwater.



|  |    |
|--|----|
| Hydrotherapy   | 4  |
| Water treadmill by Activo-Med                                      | 6  |
| Eight reasons why I would buy a water treadmill<br>from Activo-Med | 6  |
| Water Treadmill Details  | 8  |
| Technical Details  | 10 |
| Water technology   | 12 |
| Installation requirements  | 14 |
| AquaLine SPA   | 16 |
| References   | 18 |



Unfortunately, we can't take the water treadmill with us when we are travelling to shows. However, during training and especially at the beginning of the season I train my two big lads Vicco Pop and Castle King regularly in the water treadmill.

This way, I can get them fit without putting too much strain on their body whilst slowly building their muscles and fitness.

Furthermore, aquatraining adds a little change to the routine of daily work whilst exercising different muscle groups compared to riding.

I clearly feel the difference in my horses, which is why I rate all products by Activo-Med so highly.

Jörn Warner



# Hydrotherapy

**The combination of movement and hydrotherapy not only complements each other perfectly, but brings forth a new form of therapy.**

**Controlled movement is the best way of treating lameness whilst cold water cools and massages the horse's limbs.**

These complementary forms of therapy are also particularly useful when working with sports horses. Movement in water is known for its positive effects for building muscles and fitness, especially when working in water depths up to the carpal joints, as gravity is reduced considerably in water, therefore decreasing exertion on muscles and joints. Water produces gentle resistance, helping build muscle tone and strength, getting stronger with speed, whilst too much exertion is averted by the buffering nature of water.

Technical instruction by our engineers is part of the package as much as specialist veterinary induction by FEI vet and rehabilitation specialist Dr. med. vet. Matthias Baumann. Tailored therapy and training plans are prepared in accordance with the latest scientific research. Ongoing support and advice are part of the service.

## **AquaLine SPA**

The AquaLine Spa is the ideal wellness device for hydrotherapy. The combination of cooled water with a high salt content and oxygenation promotes natural healing processes and of course the training. The appliance is made from saltwater resistant V4A stainless steel, manufactured strictly to ISO 9001 guidelines – including the fittings. Its water technology can be accommodated adjacent to the machine or away from the spa in a separate room.



**8 reasons I would buy a water treadmill from Activo-Med**

1. Our water treadmill has front and rear doors
2. Our water treadmill has an even belt without slanting on the sides ensuring safe footing at all times
3. Our water treadmill has no bars or chains restricting the horses movements during training
4. Our water treadmill is longer than others, ensuring a great range of movement, long strides and stretching are possible
5. Our water treadmill comes with two days induction from a FEI vet and rehab specialist, who provides training and therapy schedules too
6. Our water treadmill can be used with fresh or salt water
7. Our water treadmill can be purchased with an incline function
8. Our water treadmill can be supplied with full filtration – ensuring continuous work is possible

## Water treadmill by Activo-Med

**The water treadmill housing is built from stainless steel and accommodates the belt with its driving technology. As part of the basic system, we deliver the user-friendly control unit with separate electric box and an externally mounted engine.**

**The robust stainless steel construction** in V2A quality, optionally configurable with salt water resistant V4A if required, is manufactured in full compliance with ISO 9001 regulations. We utilize stainless steel only – even for the fittings. The highest safety standards guarantee trouble-free operation as well as minimum risk of injury for horses and

handlers. The simple control system, equipped with clear operating elements, permits optimal and efficient training of the horse.

**Relaxed but concentrated work** is crucial for successful training. The infinitely variable speed control up to 10 km/h (6.2 mph) leaves nothing to be desired for when training your horses. For more intensive training, we also offer the optional trotting version with up to 15 km/h (9.3 mph) as well as a hydraulic incline of up to 6°.

For a stress-free work out, the horses need to feel at ease, which is only possible when

they are kept on the lead rope rather than being tied up. This also ensure free movement. Further, the horse should be able to see their surroundings, which is why we purposely kept the front end lower than the back.

Standing on the operator's platform allows for direct observation of the horse's movements of the back. There we can see if the horse is moving straight and evenly. This is particularly important in terms of building muscles effectively, as well as ensuring the horse's progress is moving in the desired direction. Walking freely without restricting poles at front and rear promotes coordination and gentle



build-up of muscles, whilst the generously padded doors ensure safe-keeping of your horse.

**Low maintenance requirements** and inexpensive running costs of the machine, guarantee a return on investment after a short period of time. Regular cleaning and maintenance of the system is straightforward and effortless. The easily accessible maintenance openings on either side of the machine allow cleaning underneath the treadmill, ensuring the longevity of the system.





*The water treadmill is the most important training aid for my sports and rehabilitation horses. All horses really develop superbly. For horses recovering from injury, I can observe a definite improvement almost immediately, especially after ligament and tendon injuries.*

*We also have fantastic results combining aquatraining with the use of our Activo-Med pulsed magnetic leg wraps and blanket, even my oldest patient who is 30 years old enjoys his treatment very much.*

*The combination of good riding, magnetic therapy and aquatraining has made a huge difference and is a great asset in our GEKE-Equival rehab centre.*

Josefa Sommer

## Water Treadmill Details

The water treadmill has an internal length of 420 cm (13 ft 9.354 in) and width of 96 cm (3 ft 1.795 in) – these are optimal dimensions for training in a relaxed and extended posture. The belt is not beveled on the sides, therefore not posing any risk for injury during training. Two wide doors for leading the horses in and out of the treadmill ensure a high degree of

safety. Both doors can be opened and closed conveniently, quickly and safely with our one-hand operating levers. The end-to-end operator platform with mobile control unit ensures safe guidance and observation of the horse. The water level and speed can be individually adjusted during operation.

Special features of the water treadmill are, amongst others, the internal length giving the horse plenty of space to move freely with long strides. Further, horses are not restricted by locking bars or tying up rings and chains, allowing them to stretch and lower their neck as they are working out.

### Basic features

- ★ Inside length approx. 420 cm (13 ft 9.35 in)
- ★ Inside width approx. 96 cm (3 ft 1.80 in)
- ★ Inside height approx. 135 cm (4 ft 5.15 in)
- ★ Weight of treadmill 1.900 kg (4.189 lbs)
- ★ Construction made from stainless steel (V2A)
- ★ Straight walls down to belt without beveled edges
- ★ Maintenance flaps front and rear
- ★ Lowered front area for clear view
- ★ Standard treadmill with speed up to 10 km/h (6.2 mph)
- ★ Generous padding on front and rear doors
- ★ Two side windows made from Macrolon safety glass
- ★ Easy one-hand door opening and closing

- ★ Additional side windows made from Macrolon safety glass
- ★ Ramps front and rear for ground level installations
- ★ Drum filter instead of screen filter
- ★ Trotting version for up to 15 km/h (9.3 mph)
- ★ Hydraulic incline up to 6°
- ★ Chiller unit, up to +4°C.
- ★ Air blowers for oxygenation

### Optional extras

- ★ Upgrade to salt water resistant stainless steel (V4A)

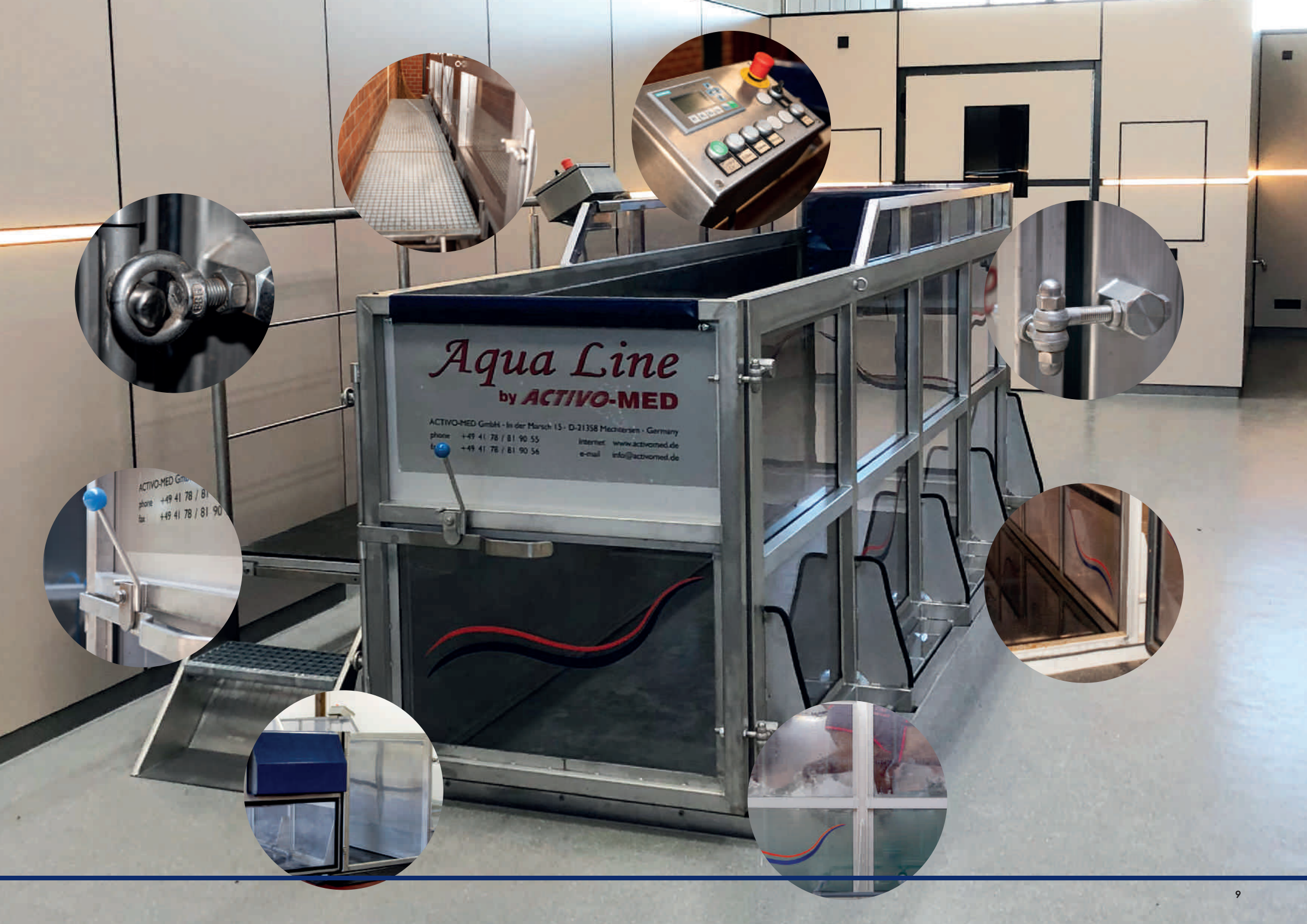
### Advantages

- ★ Doors can be opened and closed with “single, quick-release lever”
- ★ Treadmill unit as stand-alone module for maintenance from the front and rear
- ★ Mobile control panel which can be positioned anywhere on the side of the treadmill
- ★ Separate electric panel box, which can be positioned away from the treadmill
- ★ Engine mounted on outside of treadmill

- ★ There are no electrics inside the treadmill
- ★ End-to-end operator platform
- ★ Modular filtration system from simple solid matter filtration to highly sophisticated water purification
- ★ Powerful pumps with robust valve technology for filling in emptying designed as a block unit with a capacity of up to 60m<sup>3</sup> each

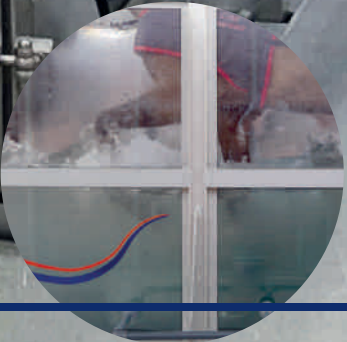






# Aqua Line by ACTIVO-MED

ACTIVO-MED GmbH - In der Marsch 15 - D-21358 Mecksteden - Germany  
phone +49 41 78 / 81 90 55 internet www.activomed.de  
fax +49 41 78 / 81 90 56 e-mail info@activomed.de





*It's been nearly three years now, since we had our water treadmill and spa installed and we can see a huge improvement in the way horses develop after injury and illness.*

*But also using the Activo-Med systems as training aid to improve fitness and gentle muscle build-up has made a great difference in our horses.*

*The generously designed water treadmill allows horses to move freely and to stretch, which is particularly useful in building up muscles in neck and back areas. By being able to control speed and water levels to suit each horse, we can train each horse to its individual needs.*

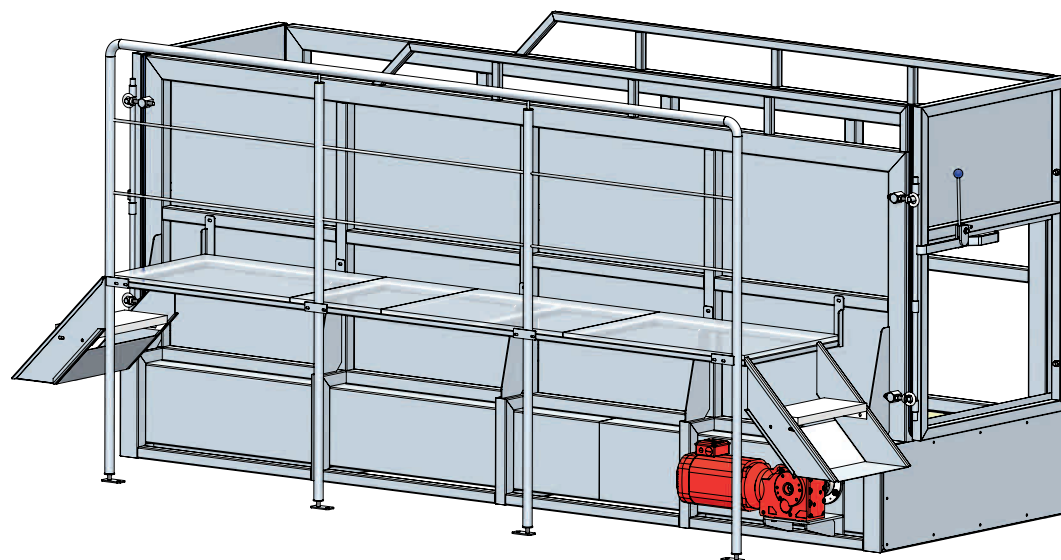
*The user-friendly controls and the high performance filtration of the system, make for very easy work with the highest degree in hygiene and safety.*

Andrea Engeler-Bading,  
Therapiestation Fehmbusch Eyendorf/Luhmühlen

## Technical Details

The modular system allows for individual configuration. This ensures each installation can be tailored to the individual's needs, spacial arrangements

and specifications. The treadmill can be supplied as ground level installation or lowered into a pit.



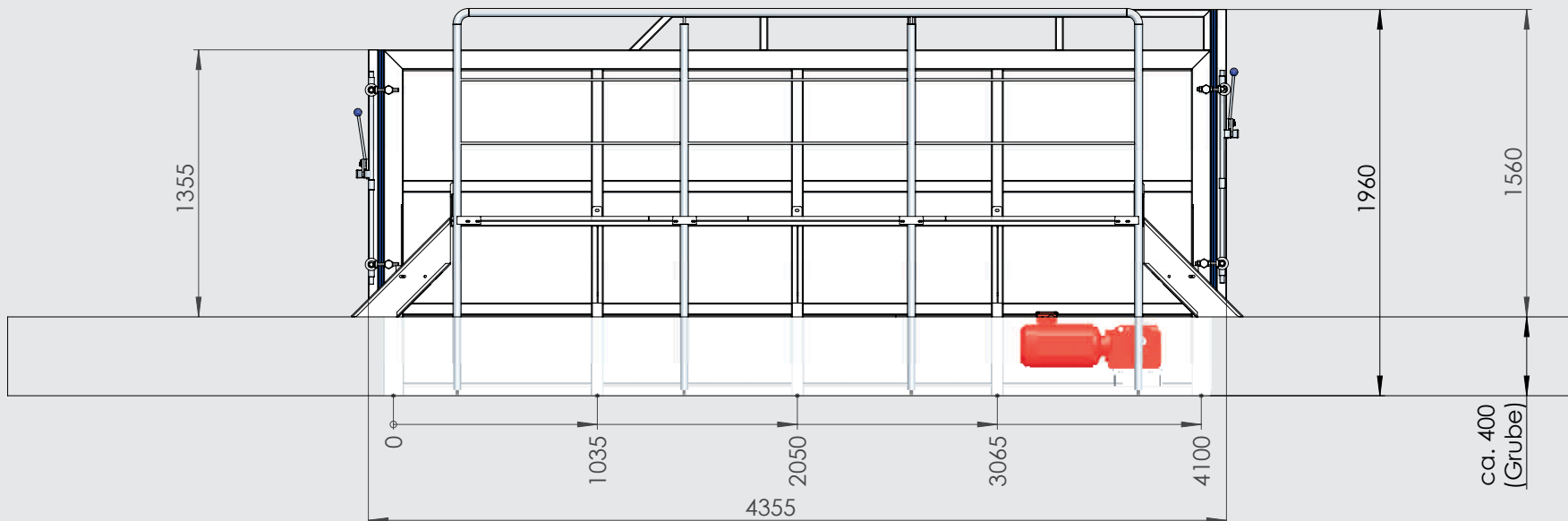
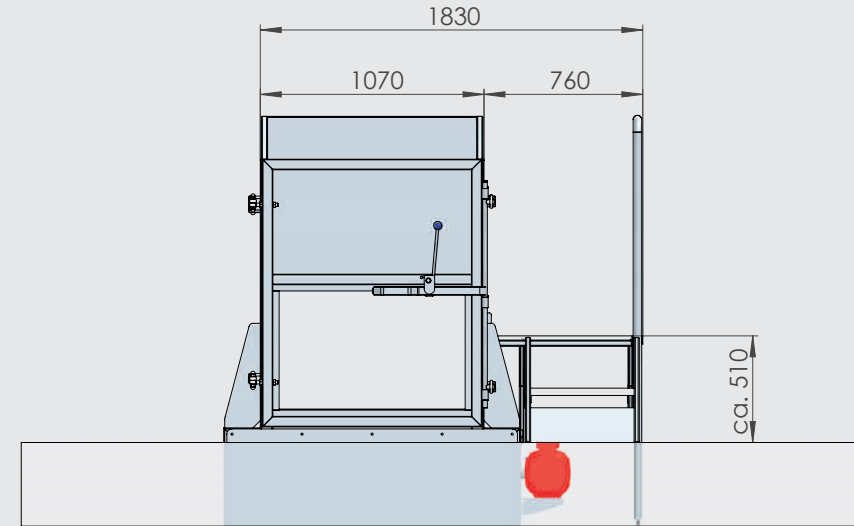
### Basic features

- ★ Inside length approx. 420 cm (13 ft 9.35 in)
- ★ Inside width approx. 96 cm (3 ft 1.80 in)
- ★ Inside height approx. 135 cm (4 ft 5.15 in)
- ★ Weight of treadmill 1.900 kg (4.189 lbs)
- ★ Construction made from stainless steel (V2A)
- ★ Straight walls down to belt without beveled edges
- ★ Maintenance flaps front and rear
- ★ Lowered front area for clear view
- ★ Standard treadmill with speed up to 10 km/h (6.2 mph)
- ★ Generous padding on front and rear doors



### Optional configurations

- ★ Complete system made from salt water resistant stainless steel (V4A)
- ★ 2 x extra side windows made from Macrolon safety glass
- ★ Ramps on either side if build on level ground
- ★ Filtration supplied with drum rather than screen filter
- ★ Treadmill supplied as trotting version up to 15 km/h
- ★ Hydraulic incline function up to 6°
- ★ Chiller unit, up to +4°C.





The water treadmill has become one of the most important training elements we use to build muscle and fitness as well as keeping our horses in tip top condition.“

Bernadette Brune, Gestüt Brune, Westerstede



## Water technology

**With our specially designed water system, training your horses is made possible with the least amount of interruption, unease or time wasting. Powerful pumps ensure fast filling and emptying of the treadmill, whilst the controls allow for exact filling height of the water.**

Furthermore, we do not compromise when it comes to hygiene and efficiency. Our state-of-the-art water filtration system can be configured to different levels of cleaning and disinfection capabilities depending on usage, water recycling needs etc. No matter which configuration you choose – long lasting quality in the water circulation system is guaranteed.



### Version I

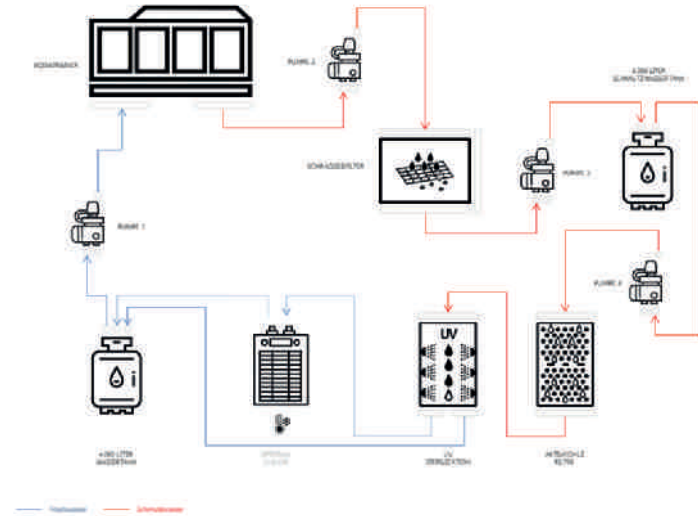
- ★ Screen filter
- ★ 4000 l PVC waste water tank
- ★ 450 l charcoal filter
- ★ UV sterilization unit
- ★ 4000 l PVC fresh water tank

### Version II

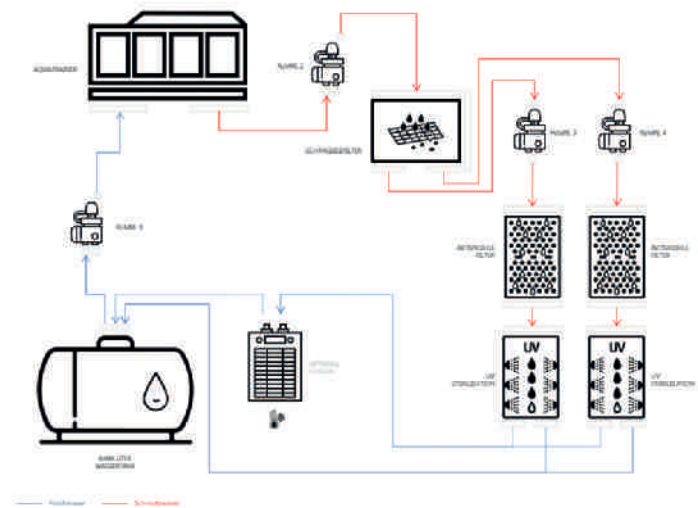
- ★ Screen filter
- ★ 2 x 450 l charcoal filter
- ★ 2 x UV sterilization units
- ★ 8000 l PVC service water tank



**Version I**  
Sample configurations



**Version II**  
Sample configurations





We are very happy with both the water treadmill and the spa.

The horses love to work and splash in the water treadmill, and we can see very quickly how they gain muscle-mass on their topline and how their stride-length is improved, even under the saddle.

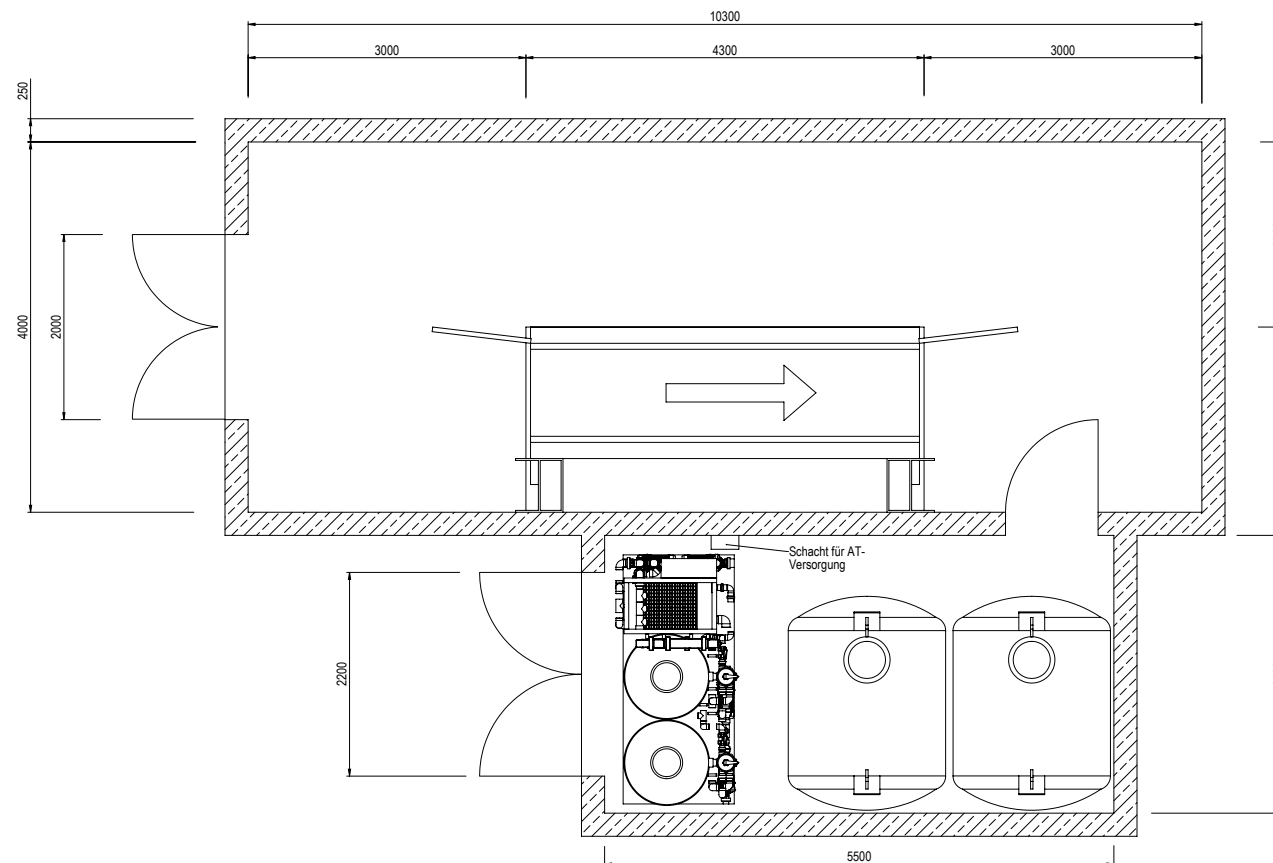
The horses get much more supple and nice in the contact, and thats only after working a few times in the water treadmill. I'm really happy about the change I can feel in my dressage horses.

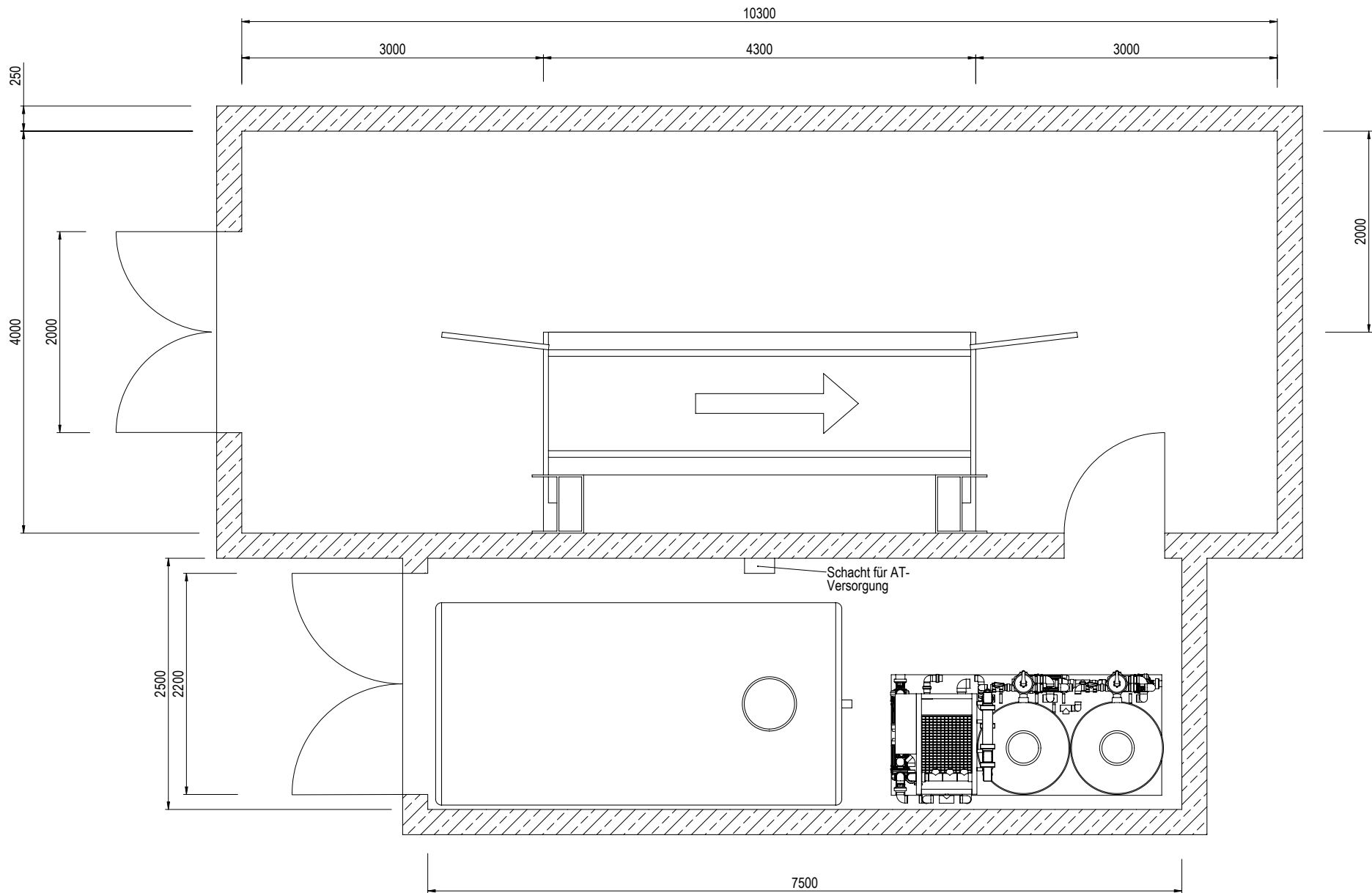
But as much as we love the water treadmill, we wouldn't go without the spa. It's superb for keeping the horses sound, and for helping horses with injuries back into the sport!

Katrine Gammelgård,  
Lybækgård, Herning, Denmark

## Installation requirements

- ★ The room dimensions should be as follows: 10 m (32 ft 9.70 in) in length, (13 ft 1.48 in) wide, 3m (9ft 10.11in) ceiling height if the installation is in a pit, or 3.4 m (11 ft 1.85 in) ceiling height if the installation is with ramps on ground level
- ★ Data with dimensions can be entered into existing CAD files
- ★ Main power supply of 32 Amp and 380 V / 3 phases is needed
- ★ Drain for water needs to be DN100 (3.94 in); drain sump DN100 (only with lowered installations)
- ★ Dimensions of doors should have 2.20 m (7 ft 2.62 in) min. in height and 2.00 m (6 ft 6.74 in) min. in width
- ★ The water connection for fresh water filling should be ¾"





### Components

- ★ Robust stainless steel housing
- ★ Sophisticated pump technology
- ★ Charcoal filter
- ★ Water technology with 2000 l PVC tank
- ★ Oxygenation through airblowers
- ★ Integrated 5 kw chiller unit cooling to 4°C max.

### Basic features

- ★ Inside length approx. 228 cm (7 ft 5.76 in)
- ★ Inside width approx. 80 cm (2 ft 7.56 in)
- ★ Inside height approx. 137/157 cm (4 ft 5.95/5 ft 1.81 in)
- ★ Weight approx. 900 kg (1.984 lbs)
- ★ Construction made from stainless steel (V4A)
- ★ Straight walls down to floor without beveled edges

### Optional Extras

- ★ Vibration modules
- ★ Ramps front and rear

## AquaLine SPA

The AquaLine Spa is the ideal wellness device for hydrotherapy. The combination of cooled water with a high salt content and oxygenation promotes natural healing processes and of course the training. The appliance is made from saltwater resistant V4A stainless steel, manufactured strictly to ISO 9001 guidelines – including the fittings. Its water technology can

be accommodated adjacent to the machine or away from the spa in a separate room.

### Advantages

- ★ Doors with single, quick release lever
- ★ Separate electric panel box, which can be positioned away from the spa
- ★ Mobile control panel which can be

positioned anywhere on the side of the spa

- ★ End-to-end operating platform
- ★ Maintenance flaps front and rear
- ★ Marcolon safety glass in front and rear door
- ★ Generous padding on rear door for safety







## Do you know Activo-Med ImpulseLine?

Activo-Meds pulsed magnetic therapy systems with or without massage function, light showers and many other products to complement your equine care are used all around the world in equestrian sports, breeding and leisure. For further information, please do not hesitate to contact us.



## References

Please ask for complete list of references. We are happy to arrange a viewing appointment on request.

### **Water treadmills and spas**

Pferdetherapie Hof Fehmbusch, Andrea Engeler-Bading

[www.fehmbusch.de](http://www.fehmbusch.de)

Pferde-Reha- Am Steinkopf, Katharina Reusch

[www.pferde-reha-am-steinkopf.de](http://www.pferde-reha-am-steinkopf.de)

Lybækgård, Carsten & Katrine Gammelgård, Herning, Denmark

### **Water treadmills**

Gestüt Brune, Bernadette Brune

[www.gestuet-brune.com](http://www.gestuet-brune.com)

Physiotherapie Sommer, Josefa Sommer

[www.physiotherapie-sommer.de](http://www.physiotherapie-sommer.de)

Aubenhausen, Home oft he Dressage Horse,

Jessica von Bredow-Werndl & Benjamin Werndl

[www.aubenhausen.de](http://www.aubenhausen.de)

Isabell Werth

[www.isabell-werth.de](http://www.isabell-werth.de)

Hofgut Kaltenherberge

[www.hofgut-kaltenherberge.de](http://www.hofgut-kaltenherberge.de)





## Competent consulting

### Dr. med. vet. Matthias Baumann

Dr. med. vet. Matthias Baumann is specialised in equine rehabilitation and acupuncture. For 22 years, he was running a rehab centre for horses using a water treadmill to bring injured horses back into work. Since 1998, Dr. Baumann is a surveyor for equestrian sports issues commissioned by the IHK Munich.

Matthias was an active member of the German Three-Day-Eventing Team and competed at two Olympic Games, won the National Championships three times and is now part of the Austrian eventing team as trainer.

For Activo-Med, Dr. Baumann is the official veterinary consultant who advises in all therapeutic queries, writes training and rehabilitation plans and provides the therapeutic induction training for water treadmills and spas.